



VERDERAIR VA25

Double Diaphragm Pumps



VERDERAIR

30% more efficient
5 times longer lasting diaphragm
20% flow increase

**Think Long Term!
Start Saving Now!**

VERDER
passion for pumps

Verderair VA25

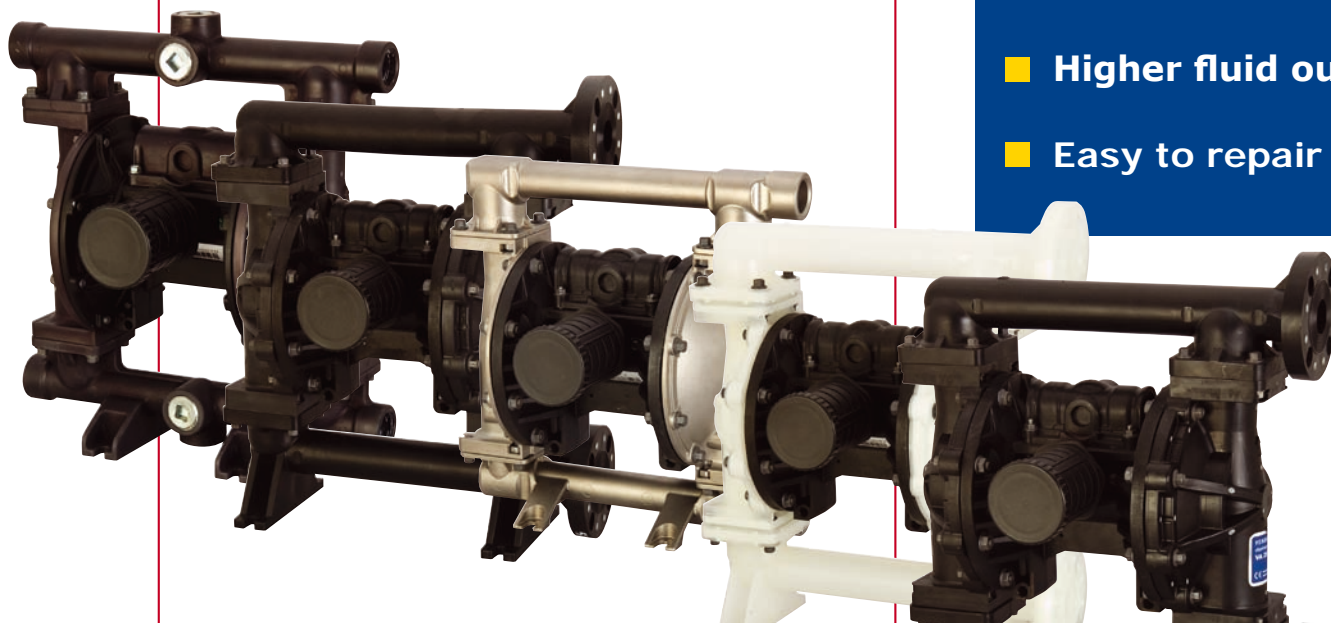
double diaphragm pump

Features and benefits

- 1 Smooth and rapid changeover**
Stall-free, low pulsation modular air valve
- 2 More efficient operation**
One-piece centre section: stronger pump, eliminates air leaks
- 3 Less maintenance; less downtime**
Up to 5 x longer diaphragm life
- 4 Leakfree operation**
Even sealing pressure by bolted design
- 5 Maximum installation flexibility**
Now up to **7** ports now
- 6 Increased material strength**
New structural frame
- 7 Longer diaphragm life**
Up to 5 times longer diaphragm life (especially abrasive applications that require PTFE)

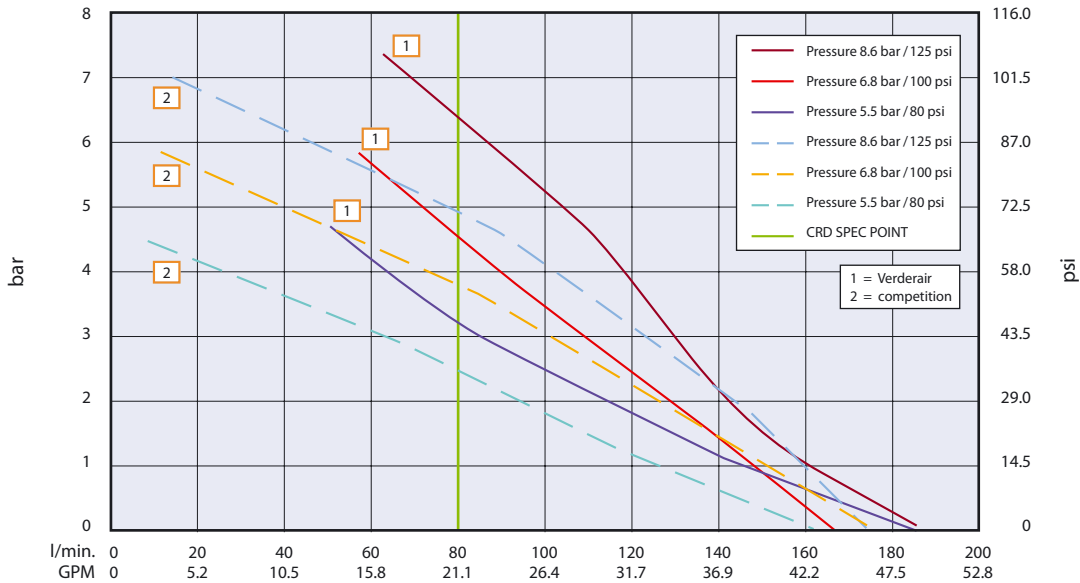


- Lower pulsation
- Less air consumption
- Higher fluid output
- Easy to repair design

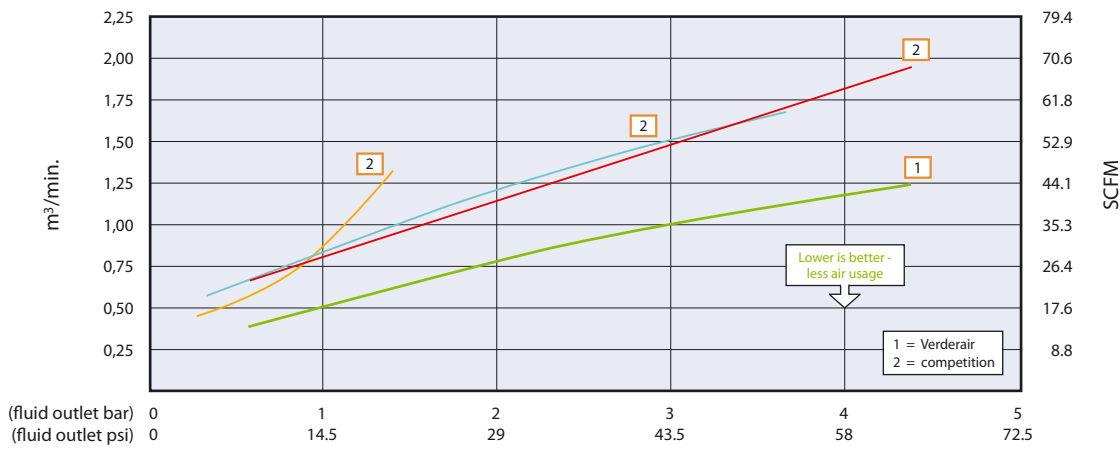


Proven test results

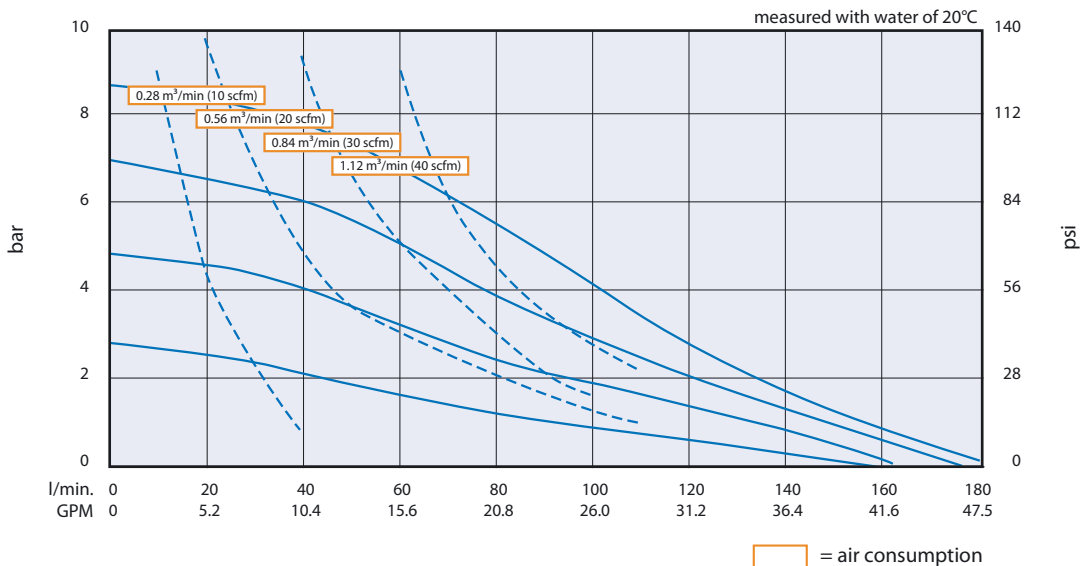
The new series Verderair double diaphragm pumps have many new features. Some of them are highlighted underneath. The advantages are best shown in graphs with proven test results.



Higher fluid output



Less air consumption



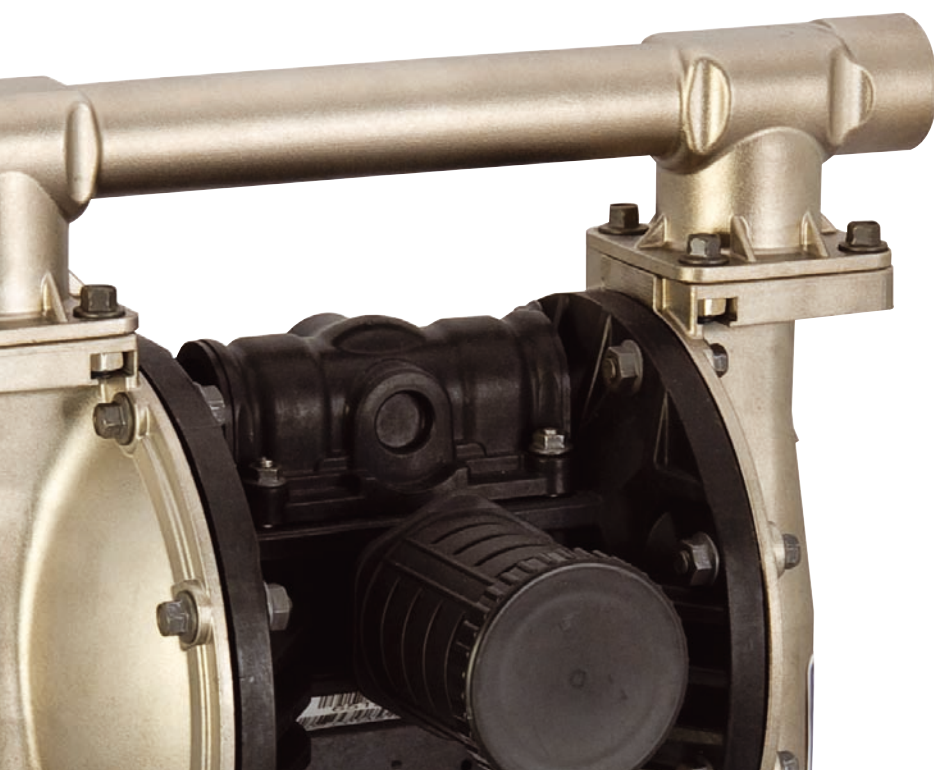
Performance curve

Technical data

Weight (kg)	
Aluminium	10.5
Plastic	8.2
PVDF	8.2
Stainless Steel (with conductive polypropylene centre)	16.5
Stainless Steel (with polypropylene centre)	16.9
Stainless Steel (with aluminium centre)	18.8
Hastelloy	18.6
Suction lift (mwc)	
Dry	4.9 m
Wet	8.8 m

Temperature range	Operating temperature range			
	Alu or SS pumps		PP or conductive PP pumps	
Diaphragm/ball/seat material	°C	°F	°C	°F
Acetal (AC)	-12 / + 82°C	10 / +180°F	0 / 66°C	32 / +140°C
Buna-N (BN)	-12 / +82°C	10 / +180°F	0 / 66°C	32 / +140°C
FKM Fluorelastomer (FK)*	-40 / +135°C	-40 / +275°F	0 / 66°C	32 / +140°C
Geolast (GE)	-40 / +66°C	-40 / +150°F	0 / 66°C	32 / +140°C
Neoprene overmolded diaphragm (CO) or neoprene check balls (CR or CW)	-18 / +82°C	0 / +150°F	0 / 66°C	32 / +140°C
Polypropylene (PP)	0 / +82°C	32 / +150°F	0 / 66°C	32 / +140°C
PTFE overmolded diaphragm (PO)	4 / +82°C	40 / +180°F	4 / 66°C	40 / +140°C
PTFE check balls or two piece				
PTFE/EPDM diaphragm (PT)	4 / +104°C	40 / +220°F	4 / 66°C	40 / +140°C
PVDF (PV)	-12 / +107°C	10 / +225°F	0 / 66°C	32 / +140°C
Santoprene (SP)	-40 / +82°C	-40 / +180°F	0 / 66°C	32 / +140°C
TPE (TP)	-20 / +66°C	-20 / +150°F	0 / 66°C	32 / +140°C

* Max temp is based on the ATEX standard for T4 temperature classification. For non-explosive environment FKM fluorelastomer's maximum operating temperature in aluminium or stainless steel pumps is 160°C (320°F).



Applications

- Drum fluid transfer
- Unloading fluids
- Chemical evacuation
- Ceramic glaze supply
- Dewatering and sump evacuation
- Repackaging of fluids from original container to smaller receptacles

Pump Coding System

A	A01	A	C1
Pump material	Centre section/ Air valve	Air valve monitoring	Fluid covers & manifold
A = Aluminium* C = Conductive PP* P = PP S = Stainless Steel**	A01 = Aluminium C01 = Conductive PP P01 = PP A02 = Aluminium - leak detection C02 = Conductive PP - leak detection P02 = PP - leak detection	A = Standard B = Pulse count C = DataTrak D = Remote	A1 = Aluminium, standard ports, inch A2 = Aluminium, standard ports C1 = Conductive PP, centre flange C2 = Conductive PP, end flange P1 = PP, centre flange P2 = PP, end flange S1 = Stainless steel, standard ports, inch S2 = Stainless steel, standard ports

* All VA25A (Aluminum) and VA25C (Conductive Polypropylene) pumps are certified: Ex II 2 GD c IIC T4

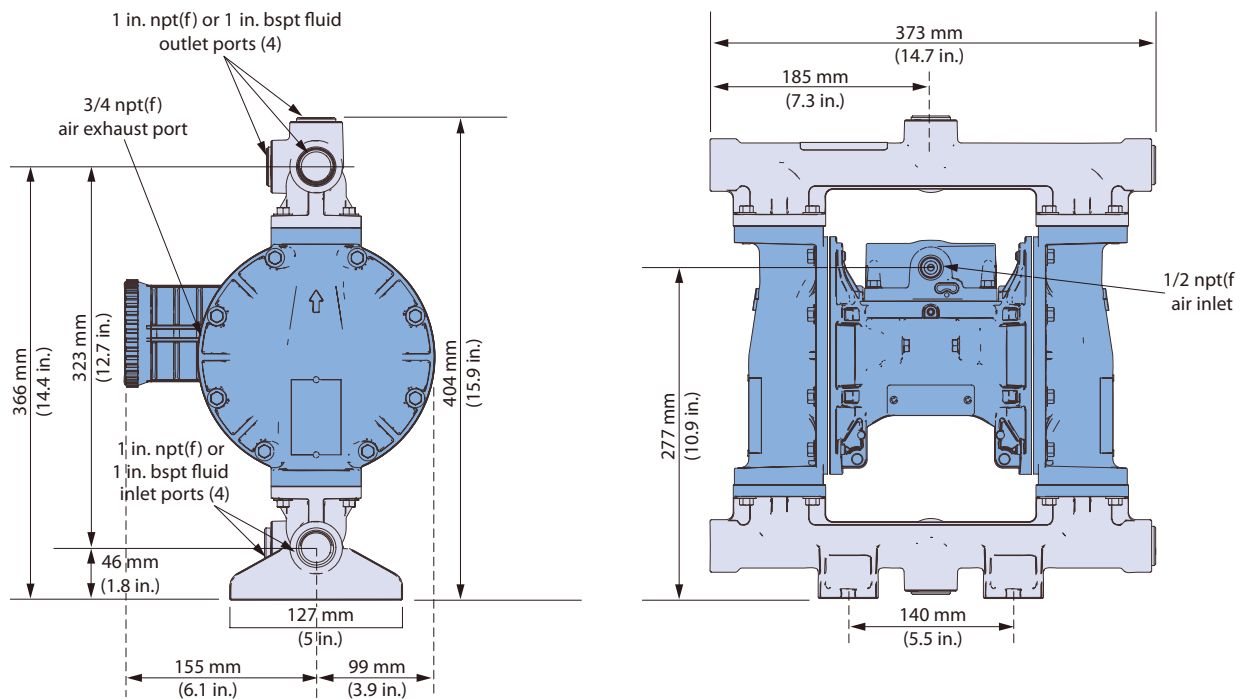
** VA25S (Stainless Steel) pumps with aluminum or conductive polypropylene centers are certified: Ex II 2 GD c IIC T4

AC	AC	BN	PT
Check valve seats	Check valve balls	Diaphragm	Manifold O-rings
AC = Acetal AL = Aluminium BN = Buna-N FK = FKM Fluorelastomer (Viton) GE = Geolast PP = Polypropylene PV = PVDF SP = Santoprene SS = 316 Stainless Steel TP = TPE (Hytrel)	AC = Acetal BN = Buna-N CR = Polychloroprene standard (Neoprene) CW = Polychloroprene weighted (Neoprene) FK = FKM Fluorelastomer (Viton) GE = Geolast PT = PTFE SP = Santoprene SS = 316 Stainless Steel TP = TPE (Hytrel)	BN = Buna-N CO = Polychloroprene overmolded (Neoprene) FK = FKM Fluorelastomer (Viton) GE = Geolast PO = PTFE/EPDM overmolded PT = PTFE/EPDM Two-Piece TP = TPE (Hytrel) SP = Santoprene	PT = PTFE

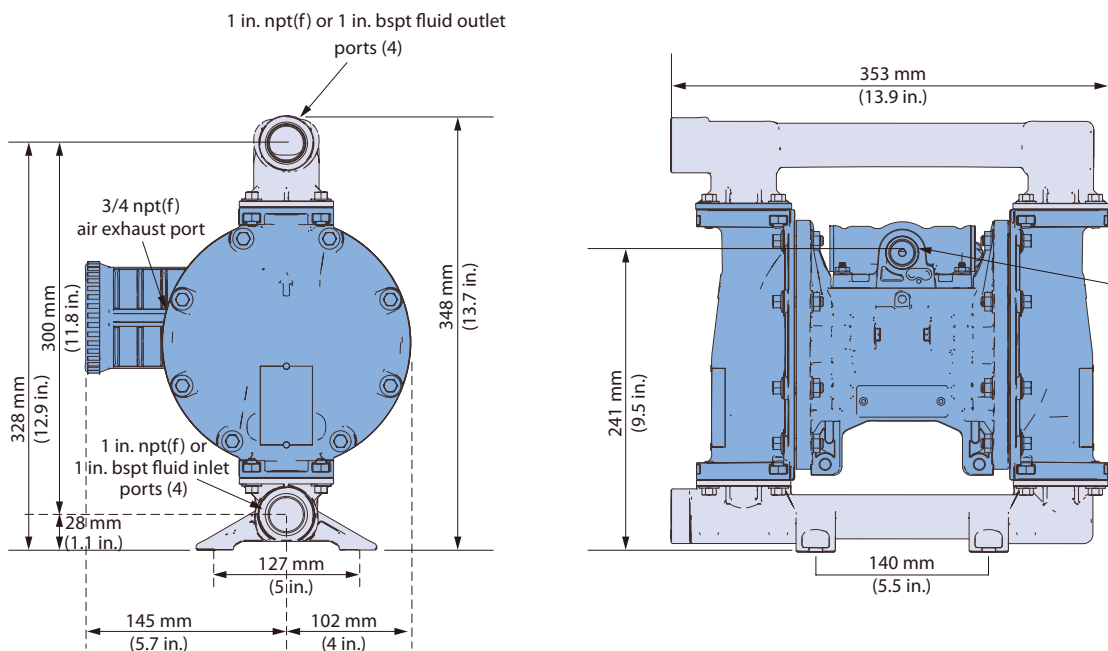
Verderair Heavy Duty High Performance PTFE Diaphragms

The new series of Verderair AODD pumps is standard executed with overmolded diaphragms: The heavy duty PTFE diaphragms. Verderair is now offering new Heavy Duty PTFE Diaphragms for the new Sanitary and Industrial AODD pumps.

VA 25 aluminium



VA 25 stainless steel



NEW

Heavy Duty PTFE Diaphragms

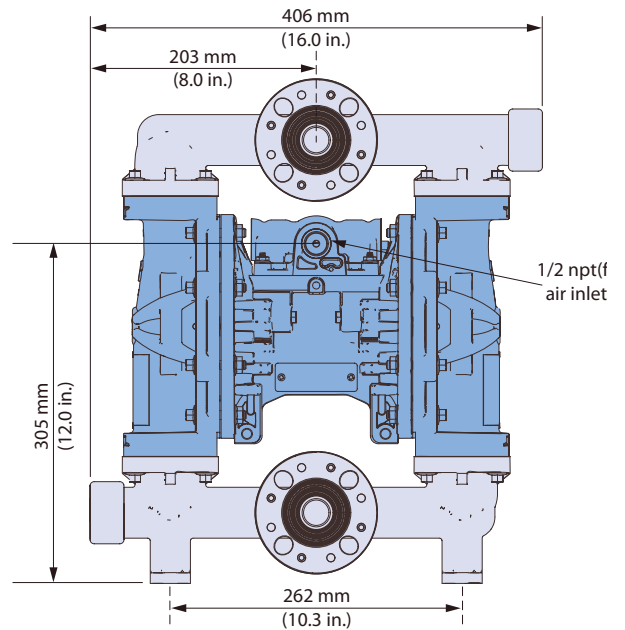
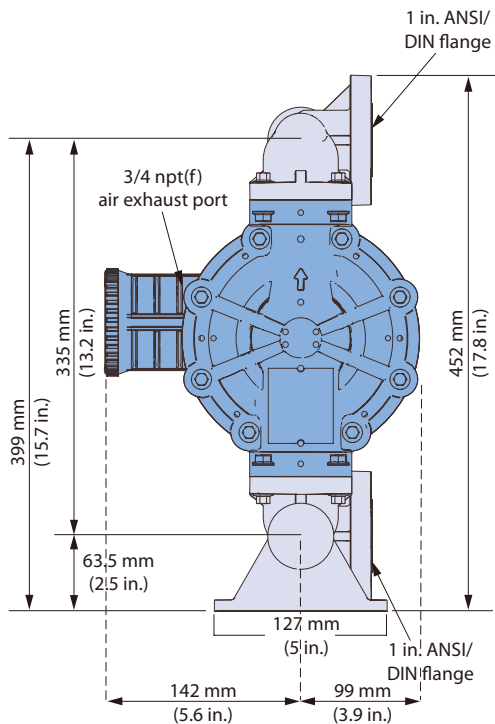
Features

- Overmolded design improves wear and double diaphragm life
- No diaphragm plate is exposed on the fluid side
- Longer double diaphragm life in more abrasive applications
- New double diaphragms last longer and are considerably stronger than other one-piece diaphragms, used with most chemicals and ideal for a wide range of pumping tasks!!

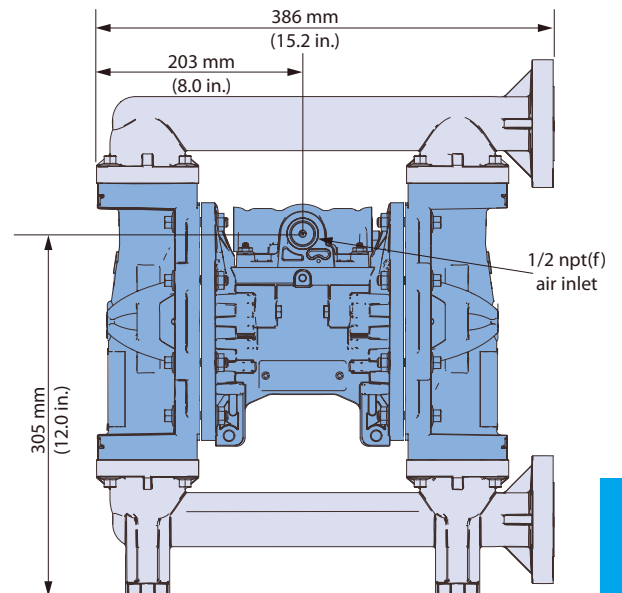
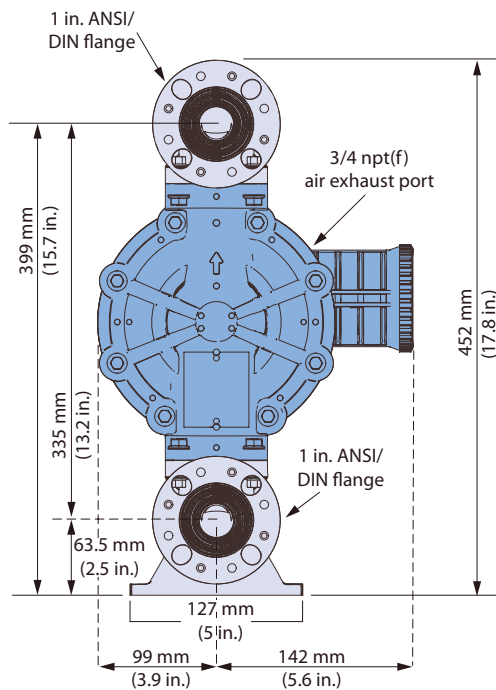


One piece diaphragm

VA 25 PP conductive PP



VA 25 PP conductive PP End





Any questions? You may still have questions and/or comments after reading this brochure. Please feel free to contact us on +32 (0)3 877 11 12. You can also respond via email to info@verder.com. For more information about Verderair please visit our website www.verderair.com

*your process deserves...
the longest lifetime*

*your process deserves...
the best long term savings*

*your process deserves...
the best double diaphragm pump*

*your process needs...
the new Verderair*

VERDERAIR

01.03.2010

VERDER INTERNATIONAL BV

Utrechtseweg 4a
NL-3451 GG Vleuten
PO Box 1
NL-3450 AA Vleuten

TEL +31 (0)30 677 92 11
FAX +31 (0)30 677 14 02
MAIL info@verder.com
WEB www.verder.com

AT Wien **BE** Aartselaar **CN** Shanghai **CZ** Praha **DE** Haan
FR Eragny s/Oise **GB** Leeds **HU** Budapest **IT** Torre Boldone
JP Tokyo **NL** Groningen/Vleuten **PL** Katowice **RO** Bucuresti/
Sibiu **SK** Bratislava **US** Newtown/Macon **ZA** Northriding